

DATE December 10, 2018
 Catalog No.: XPV1/54C

OUTLINE DIMENSIONS

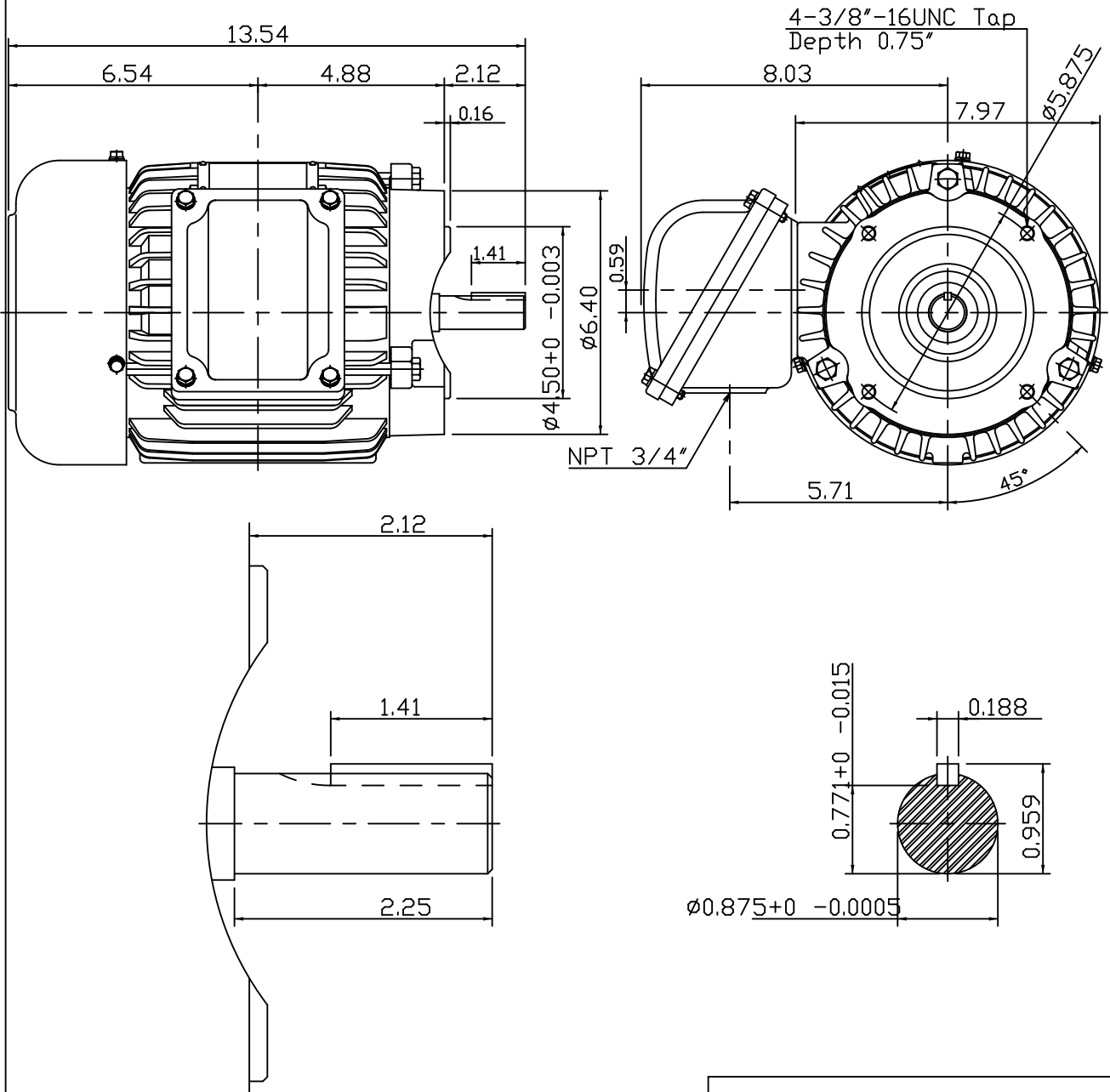
3-PHASE INDUCTION MOTOR

MOTOR TYPE: AEUHXG
 FRAME NO. 145TC

Pole	HP	kW	Hz	VOLT	r/min(rpm)
4	1.5	1.12	60	230/460	1800

Ins	Rating	Dimension in	Approx Weight	Bearings
F	CONT.	inches	245 LBS.	DE: 6205ZZ NDE: 6205ZZ

Totally Enclosed Fan-cooled Vertical Type, Squirrel-cage Rotor.



Note:

- Explosion Proof:
 Class I Group C,D and
 Class II Group E,F,G.



DWG.	江柏威	10 19 12
CHKD.	J.H.LIANG	10 22 12
APPD.	M.C.TSAI	10 22 12

TEC Westinghouse

DWG NO.
 31049M021090